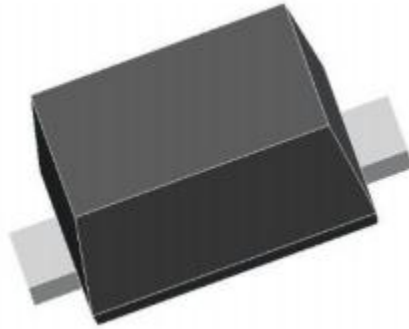


1. Finish Goods PKG photo



2. Packing method

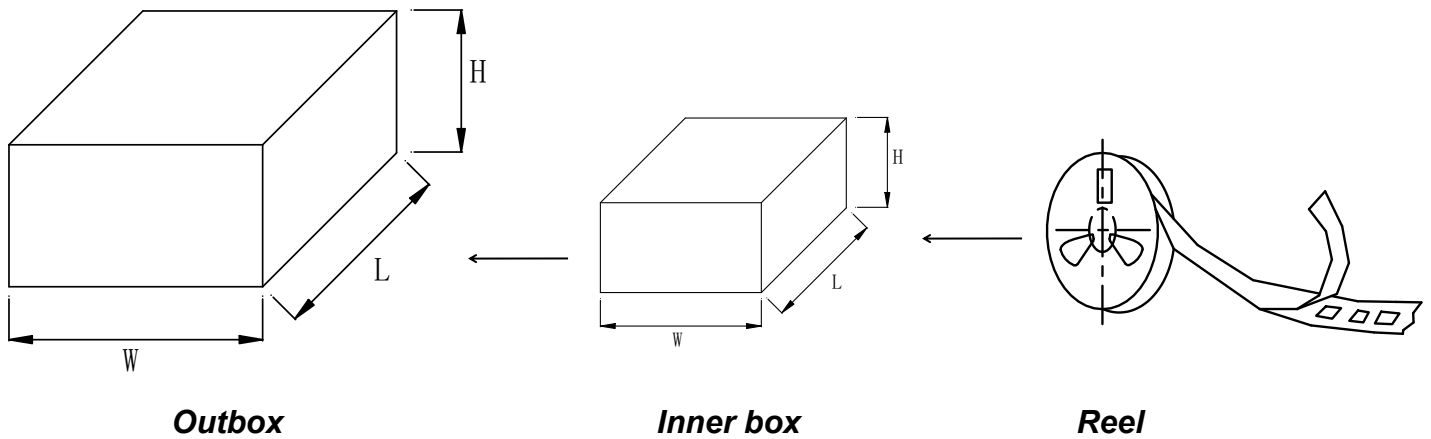


Fig.1- Reel pack for SMD

3. Product orientation

Standard product orientation SOD-923

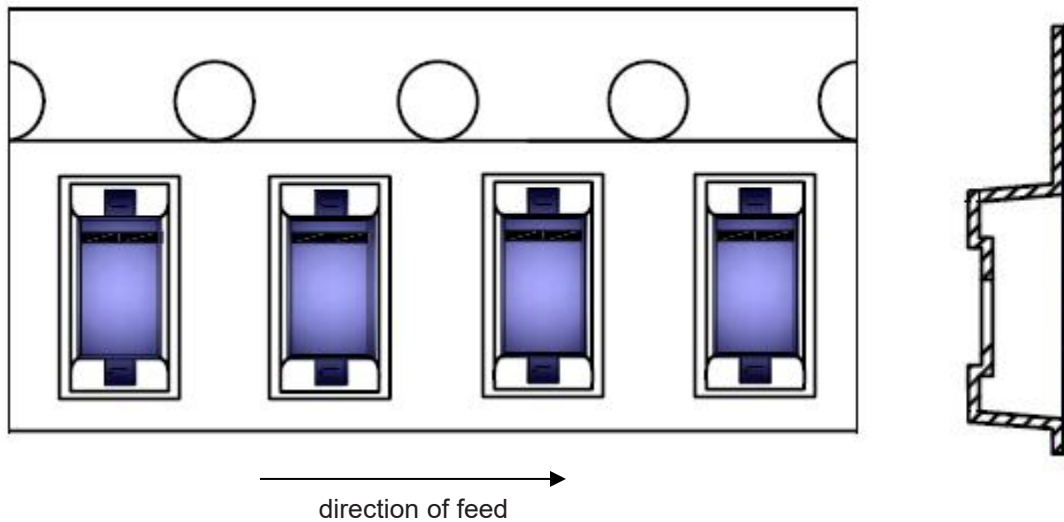
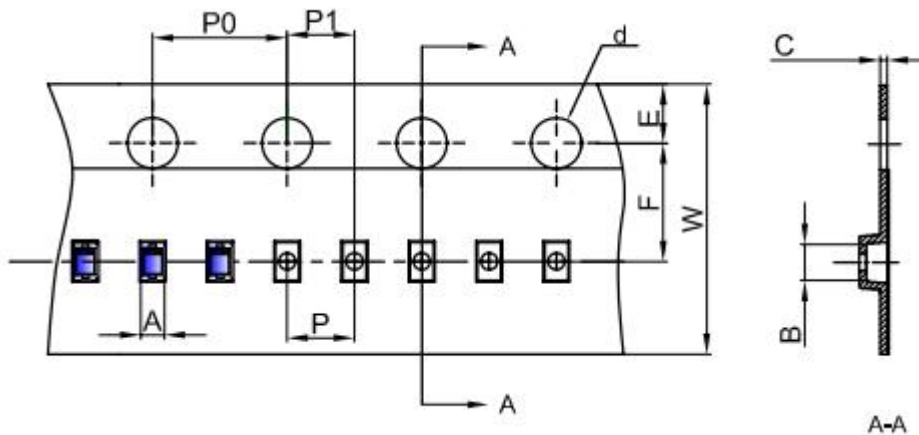


Fig 2. Product orientation in carrier tape

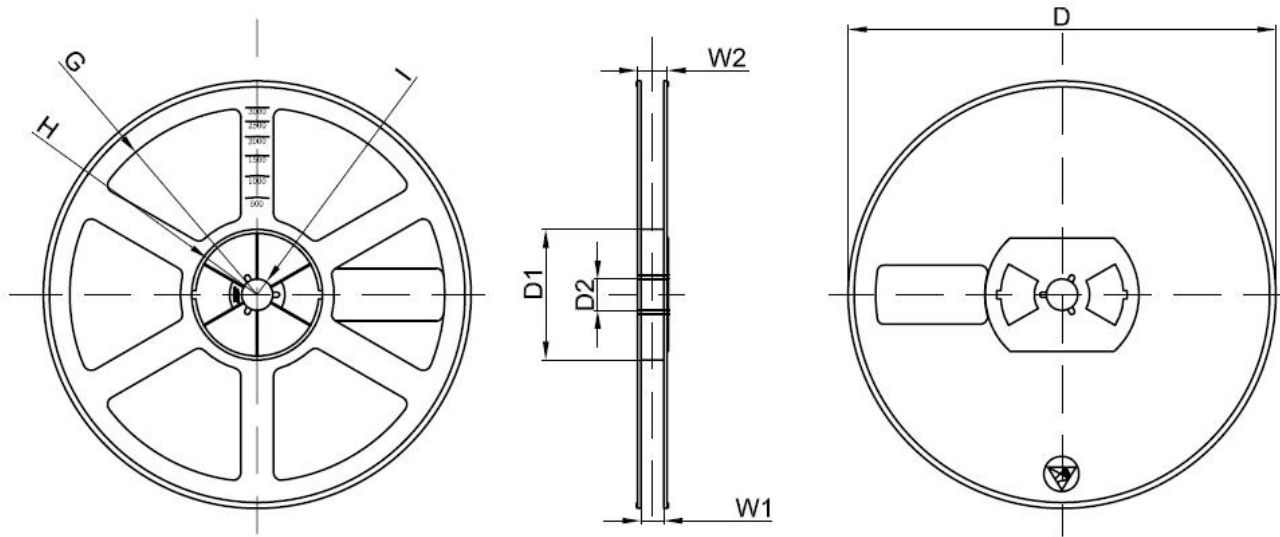
4. Carrier tape dimensions



Dimensions are in millimeter										
Pkg type	A	B	C	d	E	F	P0	P	P1	W
SOD-923	0.66	1.12	0.23	Φ1.50	1.75	3.50	4.00	2.00	2.00	8.00
(Tolerance)	±0.05	±0.05	±0.05	±0.1	±0.1	±0.1	±0.1	±0.1	±0.1	+0.3/-0.1

Fig 3. Carrier tape dimensions

5. Reel dimensions



Dimensions are in millimeter								
Reel Option	D	D1	D2	G	H	I	W1	W2
7"	Φ 178	54.4	13	R78	R25.6	R6.5	9.5	12.3
(Tolerance)	±2	±1	±1	±1	±1	±1	±1	±1

Fig 4. Reel dimensions

6. Packing information

Package version	Reel dimensions φ×H (mm)	Per reel (pcs)	Inner box (pcs)	Inner box dimensions L×W×H (mm)	Inner box weight (Kg)	Outer box/Inner box	Outer box dimensions L×W×H (mm)	Outer box (pcs)	Inner box weight (Kg)
SOD-923 7"	Φ178*12.3	8000	40K	183*183*62	1.8	12	406*406*200	480K	7.5